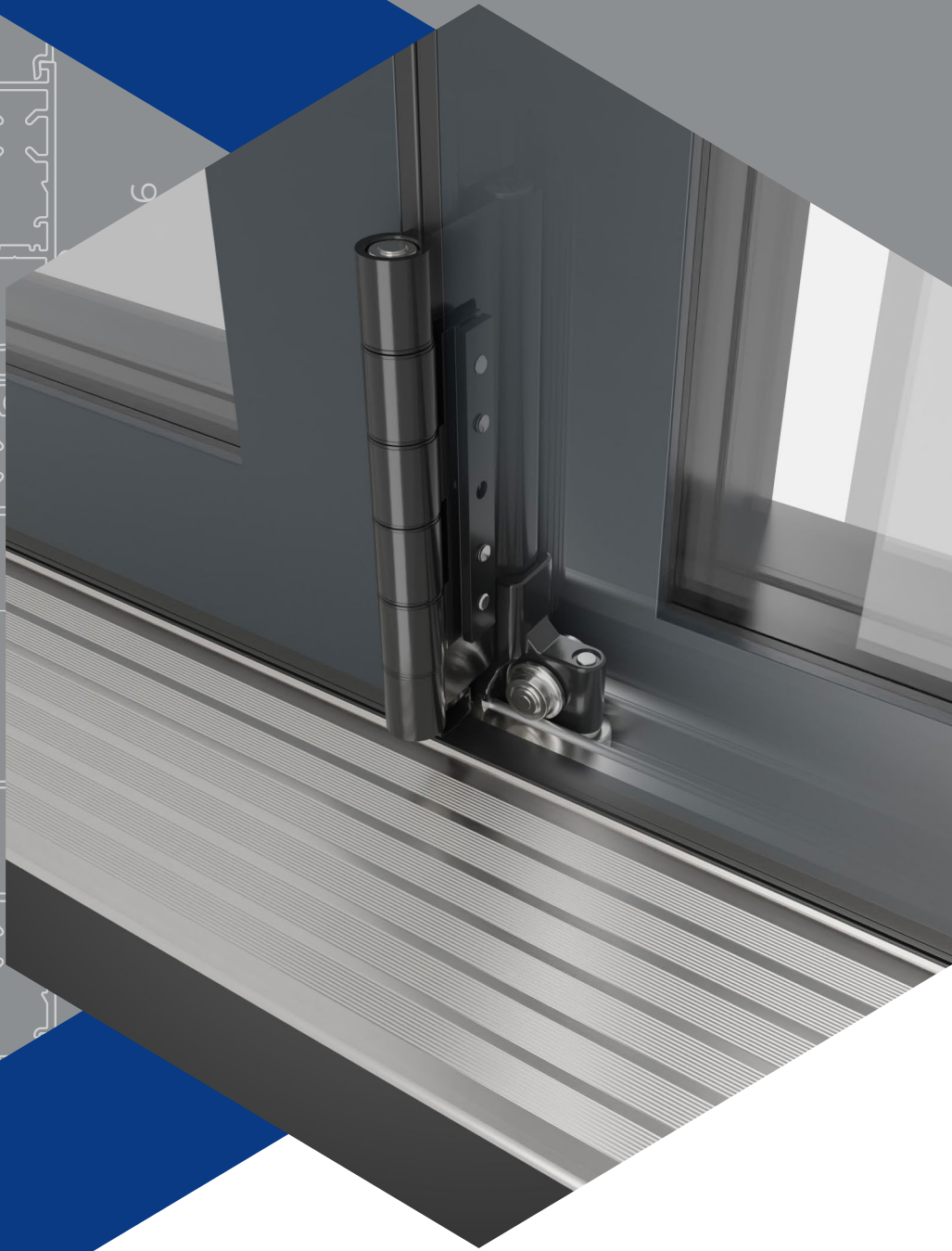
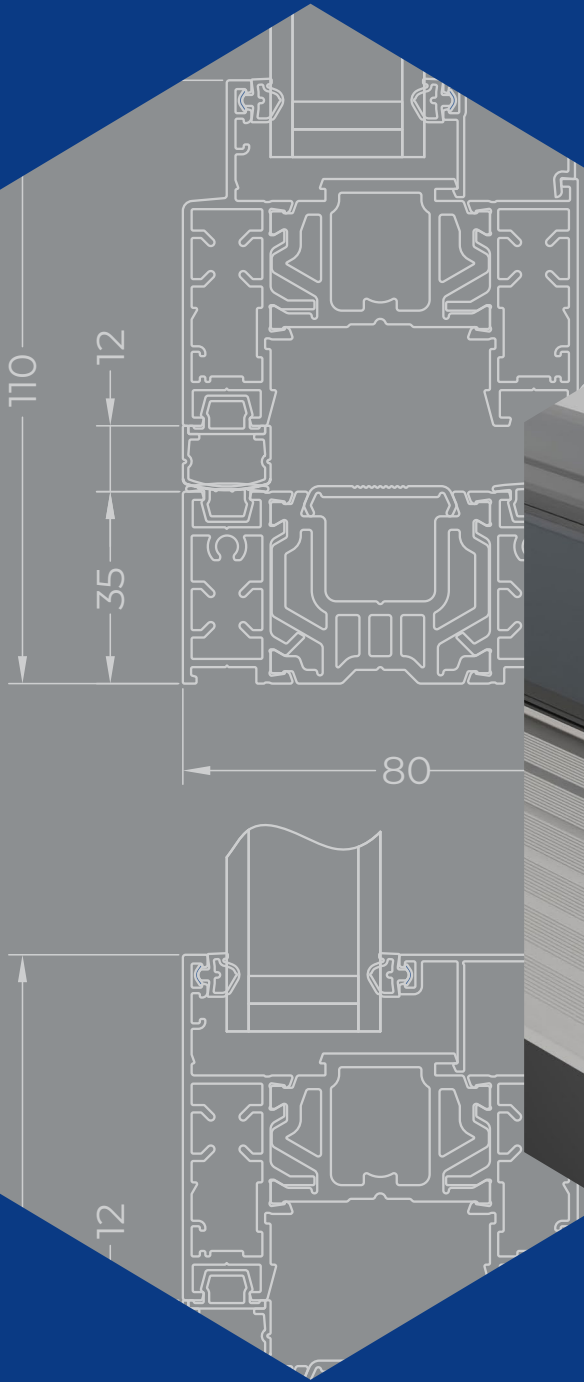




whiteline



YOUR GUIDE TO
**NEXT GENERATION PRESTIGE
ALUMINIUM BI-FOLD DOORS**

*Prestige
bi-fold*



SHEERLINE[®]
ALUMINIUM WINDOWS AND DOORS

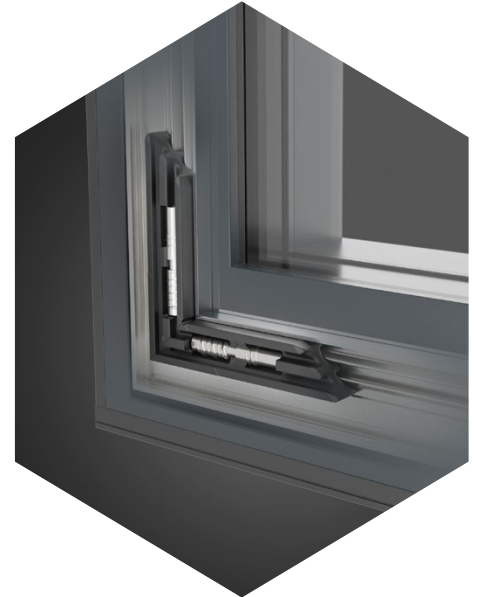
Prestige bi-folds

part of our Prestige window and door system - stylish, thermally efficient and secure. Aluminium bi-folds at their very best.

- Patented corner joint gives superior aesthetics and reduces misaligned corners
- Unique Thermlock® thermal break gives class leading thermal performance
- Available in the same style options as the rest of the Sheerline range - for consistent aesthetics across an installation



Perfectly balanced secure, sustainable, and stylish next generation aluminium bi-fold doors



Designed, made and delivered by Sheerline

Manufactured in the UK, we design and make every major aluminium and moulded component so we have the control to offer you unbeatable service. With greater control over our supply chain, we offer customers more reliable supply.

Bespoke colours

*Patent registration number: GB2569209



whiteline



Thermlock® technology

Future proofed against the proposed tightening of Part L of Building Regulations, Prestige bi-folds use Thermlock® closed-cell, insulating chambers to create class leading thermal performance, far superior to traditional polyamide thermal breaks.

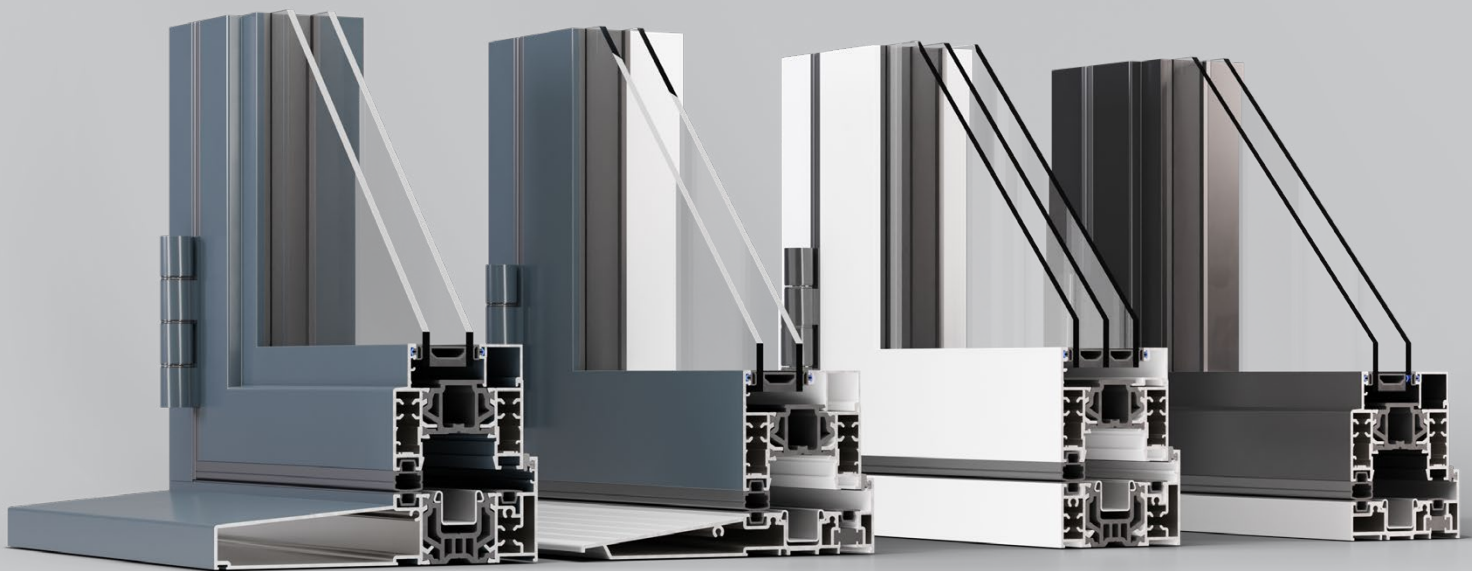
**W/(m²K) Subject to specification. **Component suppliers own guarantees covering mechanical operation subject to T&C's*

At a glance

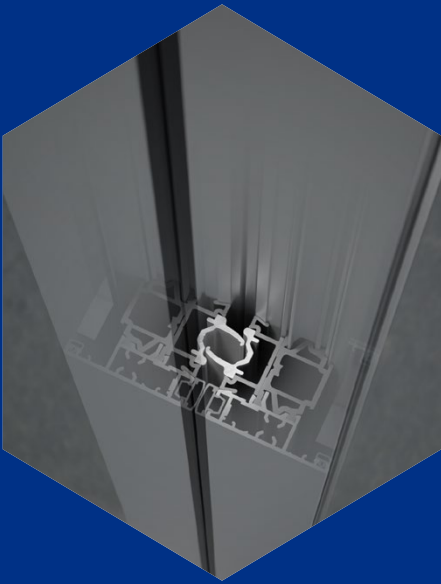
- Up to 7 panes
Including 4/2/2 configurations
- Single and French door options
- Max 6.5 x 2.6m
- Max 1.2m sash width
- Max 120kg sashes
- 80mm deep outer frame
- 72mm deep sashes
- Slim 138mm sash to sash sightlines
standard across all styles
- Up to 44mm triple glazing
36mm on stepped sashes



Designed to
be easy to
install and
sell



Prestige bi-folds come with four threshold options all featuring fully weather-sealed rebates that ensure doors aren't over-centred during operation. The integral cill and ramped low thresholds use unique, one-piece end caps which act as frame jointers, saving time, and incorporating concealed drainage. While the remaining two options; the standard outer frame and the non-ramped low threshold are compatible with existing Sheerline cills. Flat bottoms on all thresholds also allows for easy installation, manoeuvrability and storage.



High-security features built-in

Prestige bi-folds feature a full length high-security interlock on applicable styles as well as Winkhaus 'Thunderbolt' locks and one piece keeps for reliable 5-point locking with double deadbolts. All designed to create exceptionally safe and secure doors.



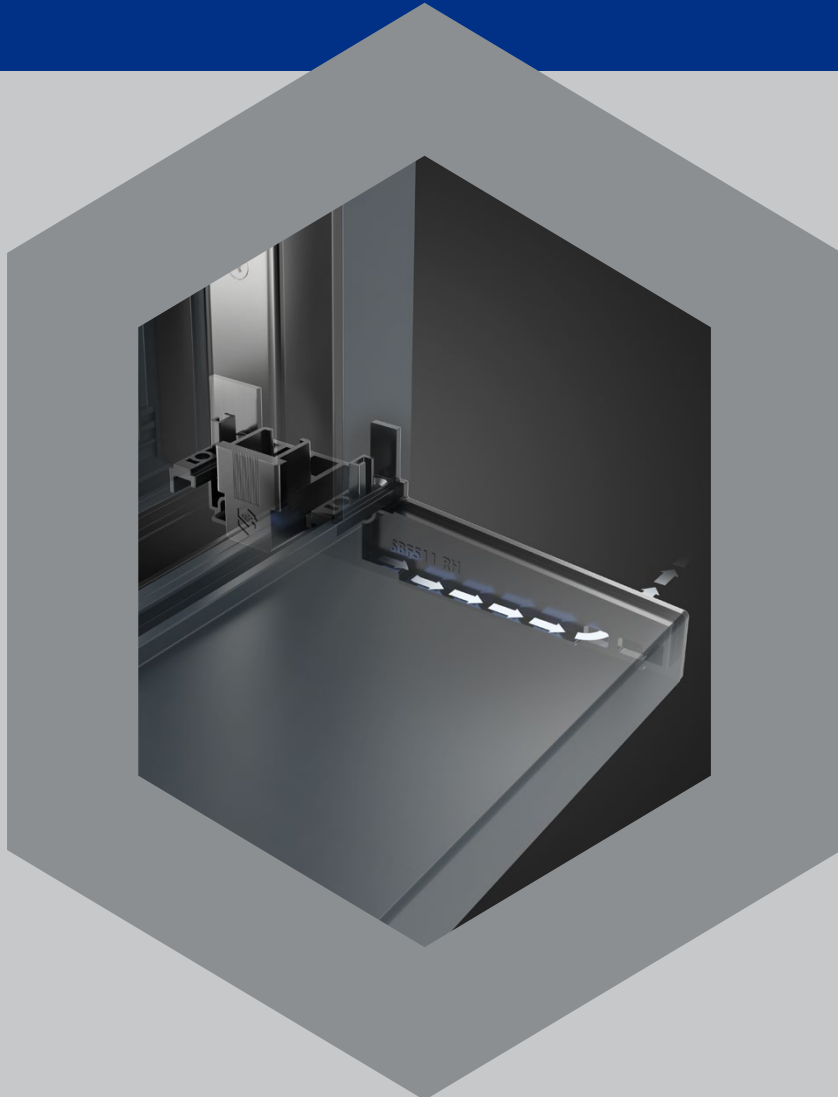
Stylish, clean lines for a modern aesthetic

Slimline internal handles help maintain the clean lines of the Prestige bi-fold. Flush styling perfectly matches flush Classic and Prestige windows, and there's no unsightly brush pile or unreliable corner gasket mouldings to spoil the aesthetics.



Bespoke single roller available

A custom design single roller eliminates the need for floating mullions. Ensuring that whatever the style of door, Prestige bi-folds have consistent 138mm sightlines between sashes, creating the trademark Sheerline balanced look.



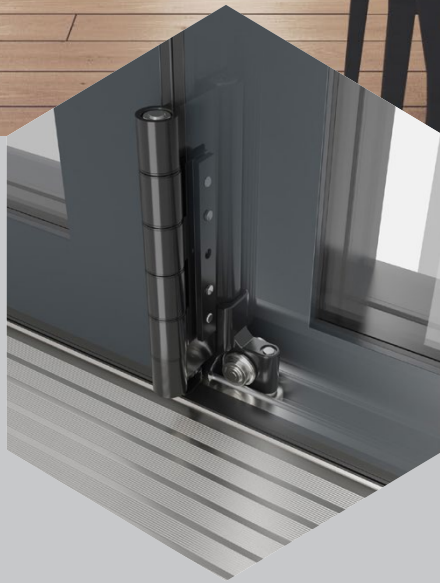
Flawless operation

One-piece stainless steel tracks in the head and threshold incorporate concealed drainage and ensure smooth and reliable operation, while hinges rated to 120kg help keep every sash perfectly aligned during operation. Unique tri-material gaskets feature a low-friction coating for smooth performance and reliable sealing. While high compression gaskets are used on 2/2/0, 4/4/0 and 6/6/0 styles to prevent overcamming issues that can lead to internal plaster lines cracking.



Installation friendly with clip in beads

Our bi-folds use the same proven clip-in beads as the rest of our Prestige range, saving time and hassle on site. Tolerance friendly manufacture and 5mm of vertical adjustment also ensures trouble free installations. Outer frames can even be supplied 'flat packed' if there is restricted site access.

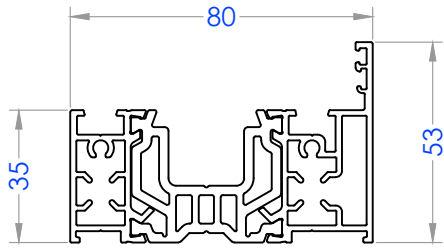


Finger pull locking on passive doors

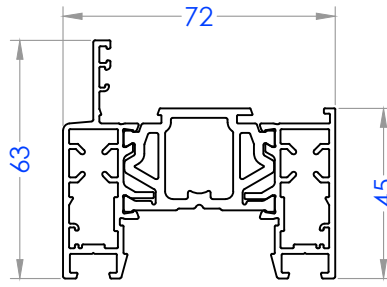
French passive doors include an integral Winkhaus finger pull lock eliminating the need for a second handle – continuing the clean, minimal aesthetics that aluminium customers crave. An innovative mishandling device also ensures doors are locked in the correct order.



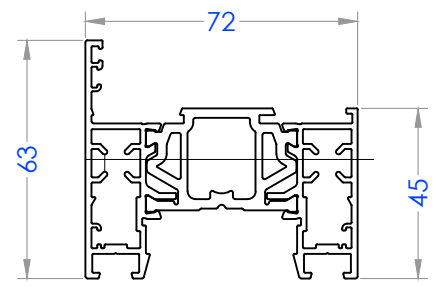
PROFILES



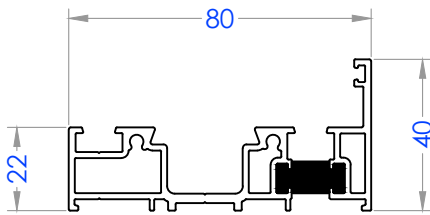
SBF100
Outerframe



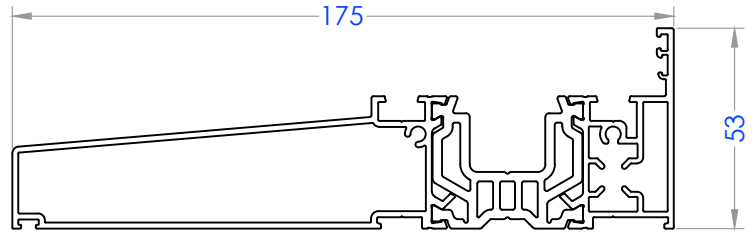
SBF300
Stepped Sash



SBF301
Contemporary Sash



SBF701
Low Threshold



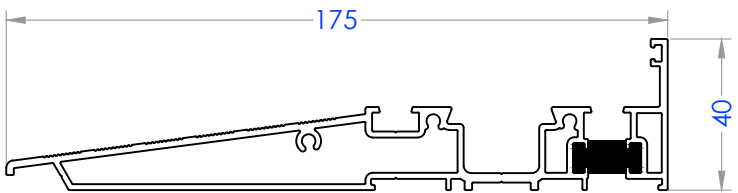
SBF400
Integral Cill



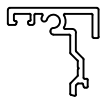
SBF504
Two-Two
Interlock



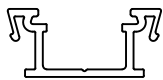
SBF505
Two-Two Frame
Extension



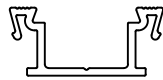
SBF700
Low Threshold with Ramp



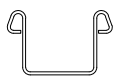
SBF250
Meeting Stile



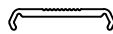
SBF500
Sash Insert
(Lock)



SBF501
Sash Insert
(Keep)



SBF608
Stainless
Track



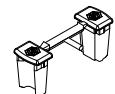
SBF502
Capping
Trim



SBF804
Button Trim



SBF812
Angled
Gasket End
Shroud



SBF813
Tall Gasket
End Shroud



SBF801
Std Domed
Gasket



SBF802
Std Angled
Seal



SBF803
Tall Domed
Seal



SG803
Low Threshold
Gasket



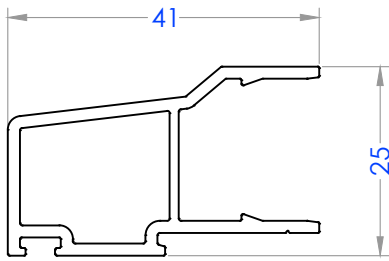
SG802
Bubble Gasket



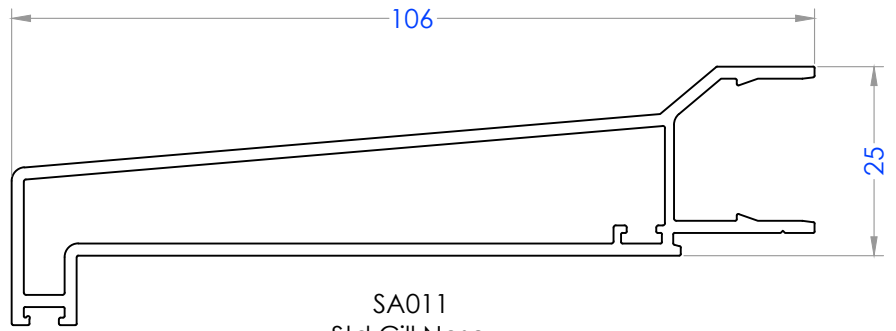
SG801
Wedge Gasket



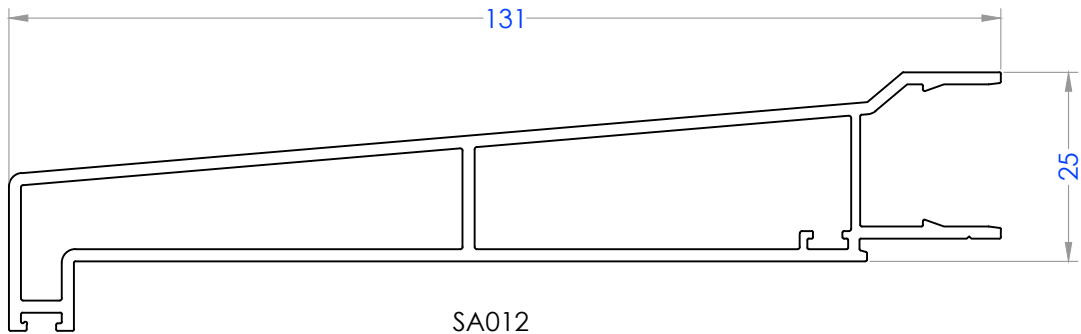
ACCESSORIES



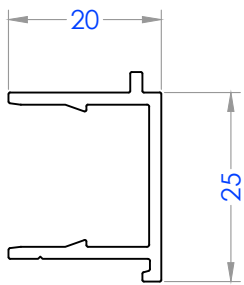
SA010
Stub Cill Nose



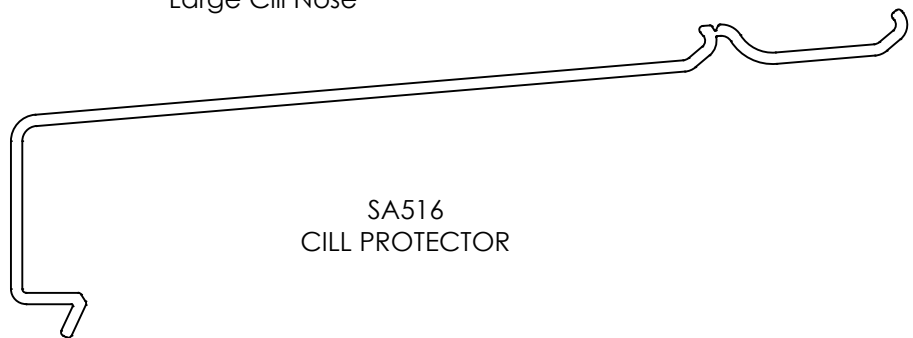
SA011
Std Cill Nose



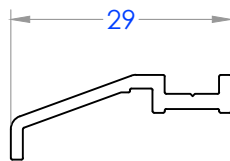
SA012
Large Cill Nose



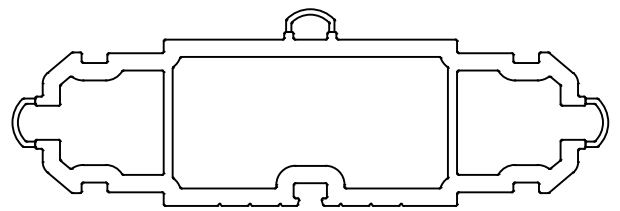
SA015
25mm Frame Ext
Trim



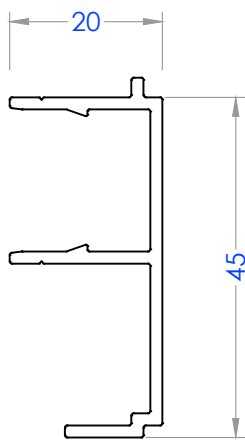
SA516
CILL PROTECTOR



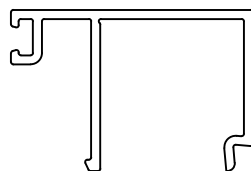
SA017
Head Drip



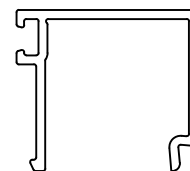
SA505
80mm Accessory
Thermal Break



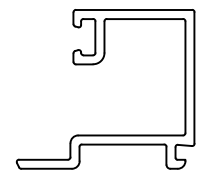
SA016
45mm Frame Ext
Trim



SP400
28mm Clip-in
Bead



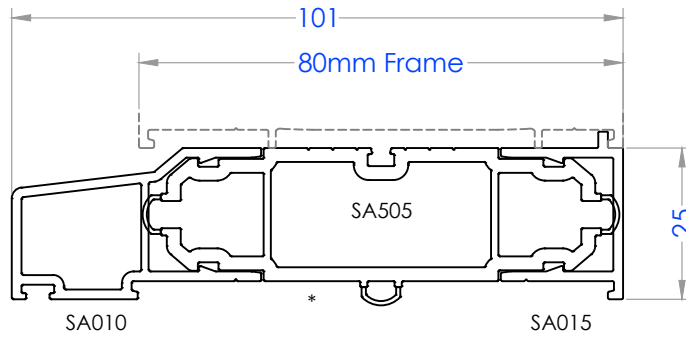
SP402
36mm Clip-in
Bead



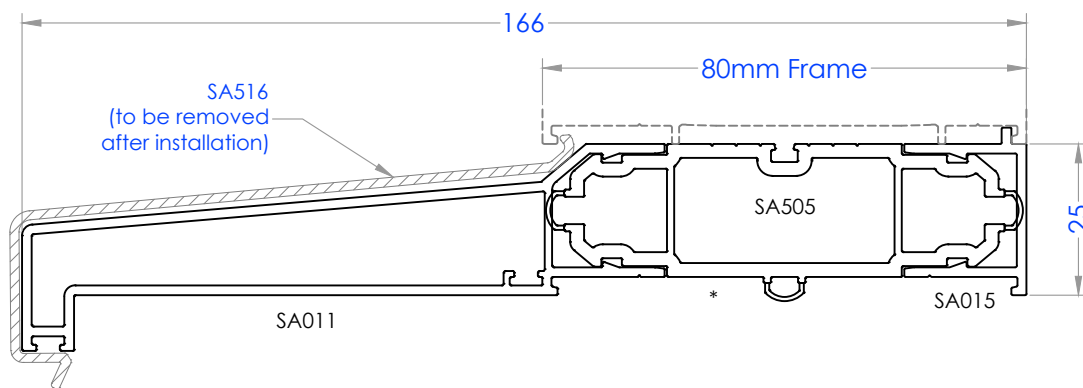
SP404
44mm Shuffle
Bead

ANCILLARY PROFILE ASSEMBLIES

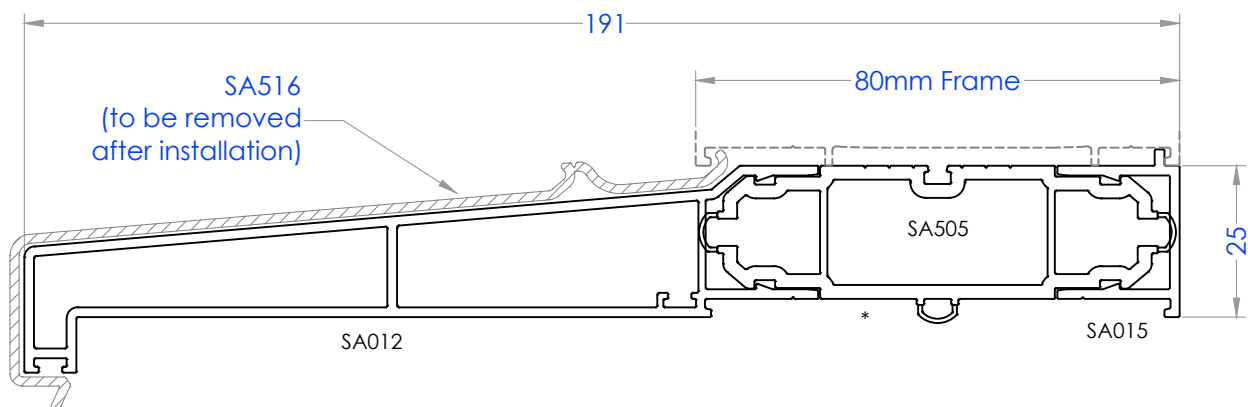
STUB CILL



STANDARD CILL



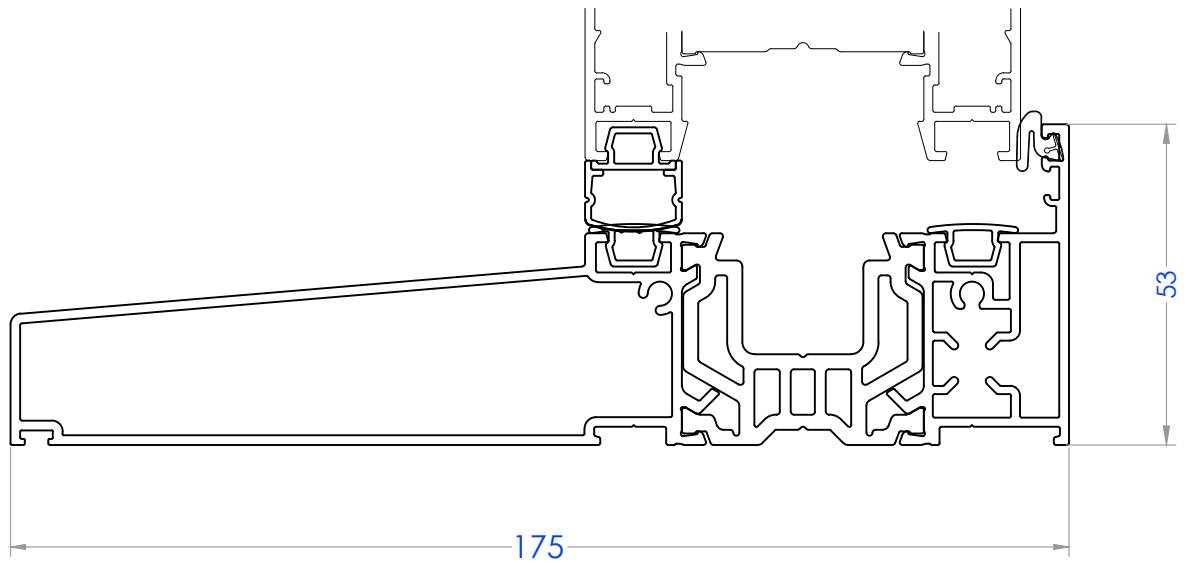
LARGE CILL



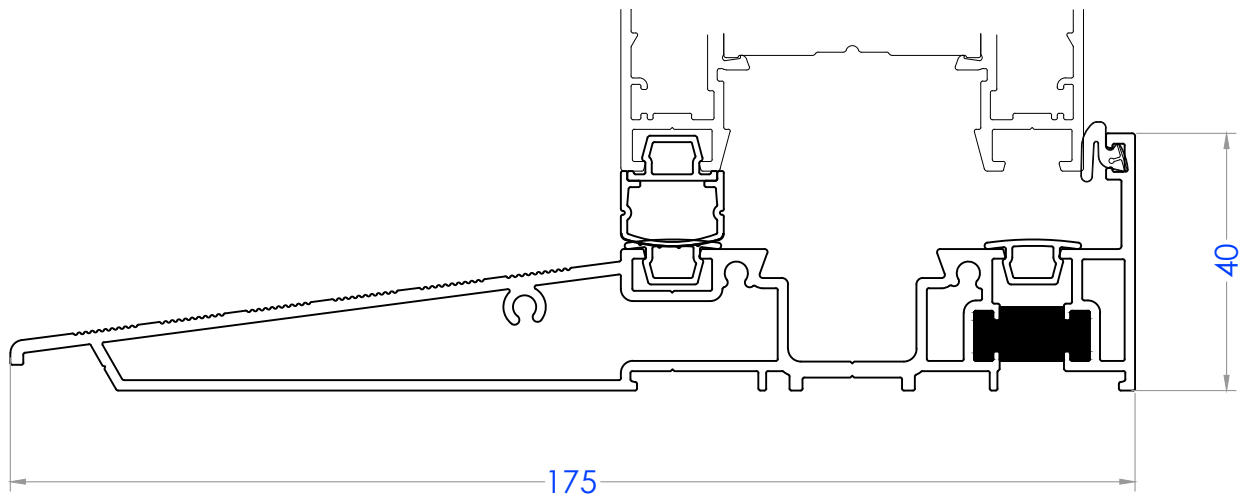
If using a cill on Bi-Folds over 6.0m in length an Integral Cill (SBF400) must be used

ANCILLARY PROFILE ASSEMBLIES

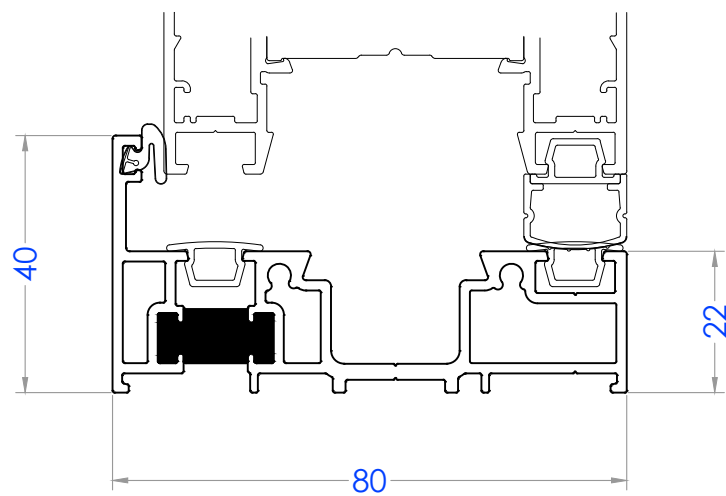
SBF400 - INTEGRAL CILL



SBF700 - LOW THRESHOLD WITH RAMP



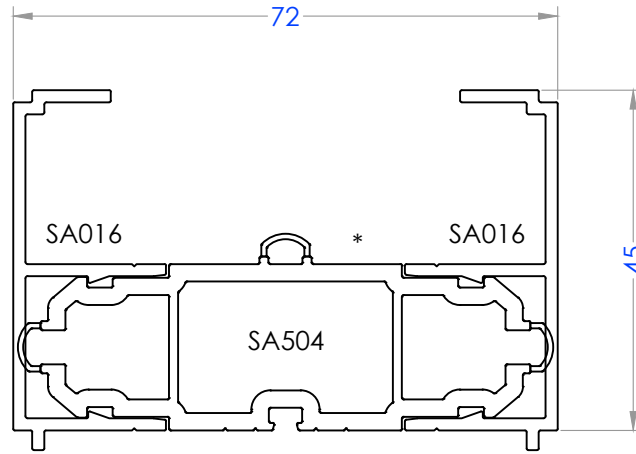
SBF701 - LOW THRESHOLD



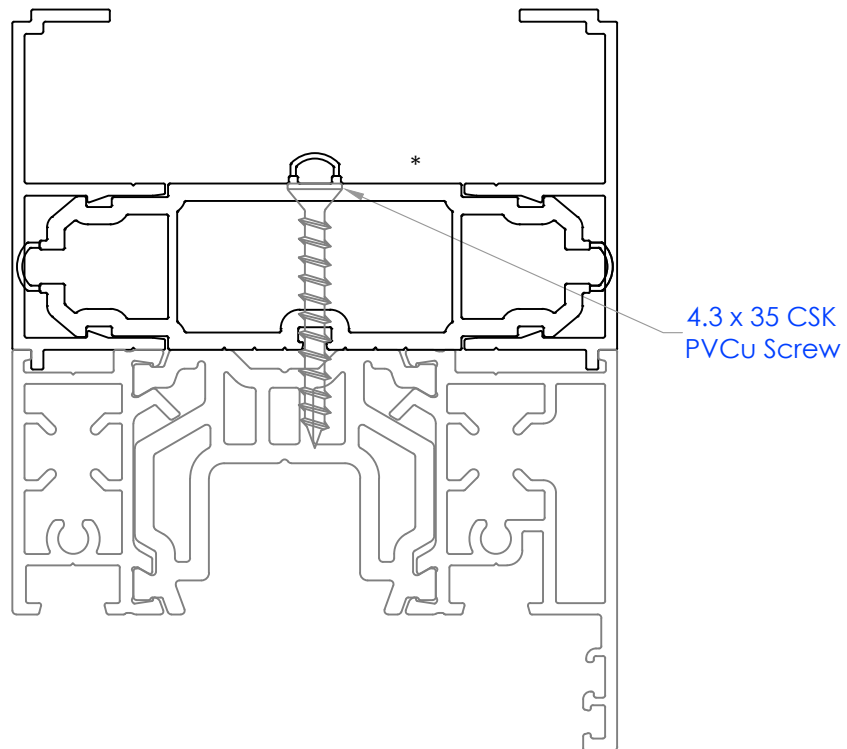
If using a cill on Bi-Folds over 6.0m in length an Integral Cill (SBF400) must be used

ANCILLARY PROFILE ASSEMBLIES

45mm EXTENSION - SP100 OUTER FRAME

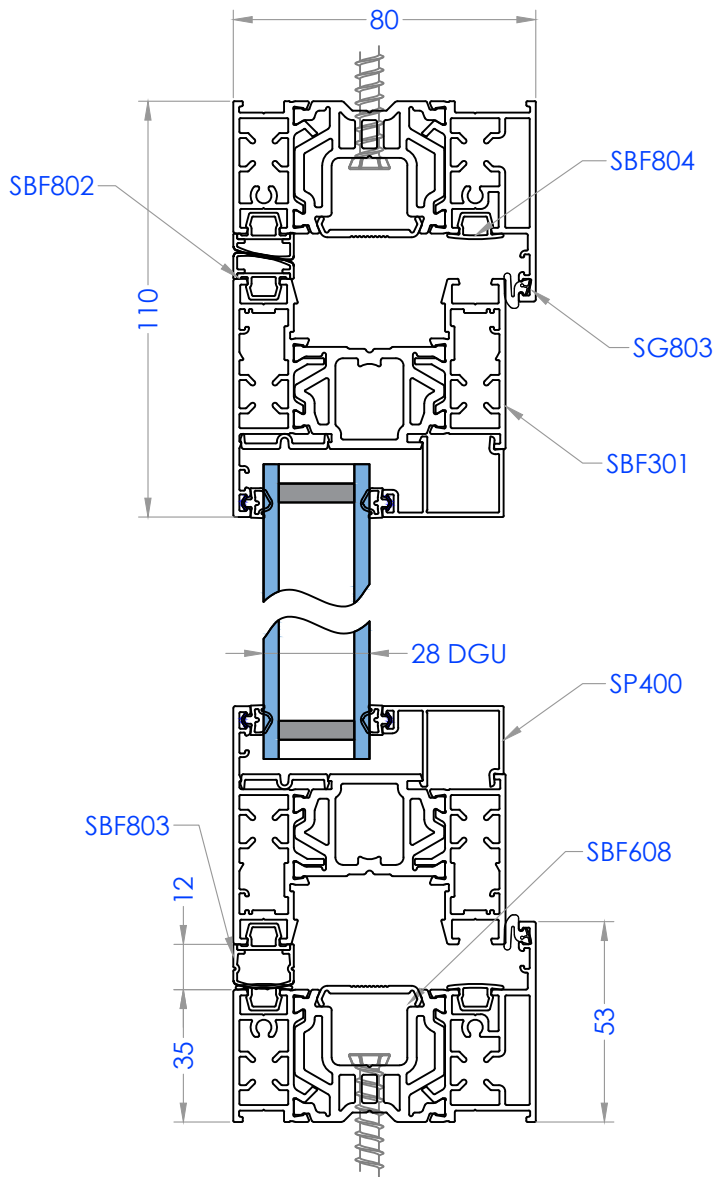


ASSEMBLY VIEW

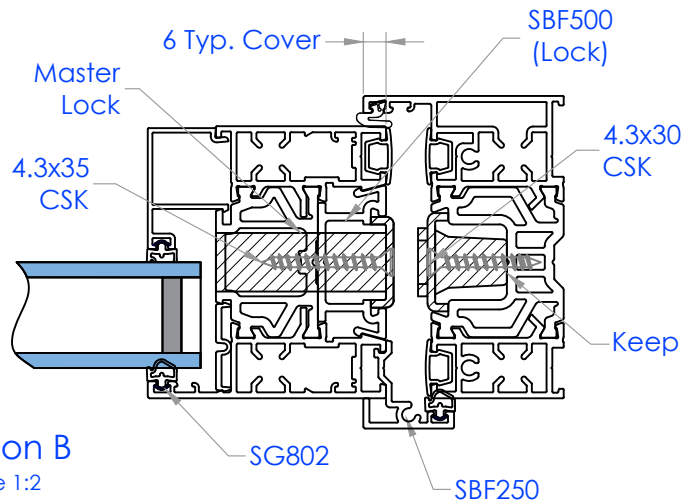
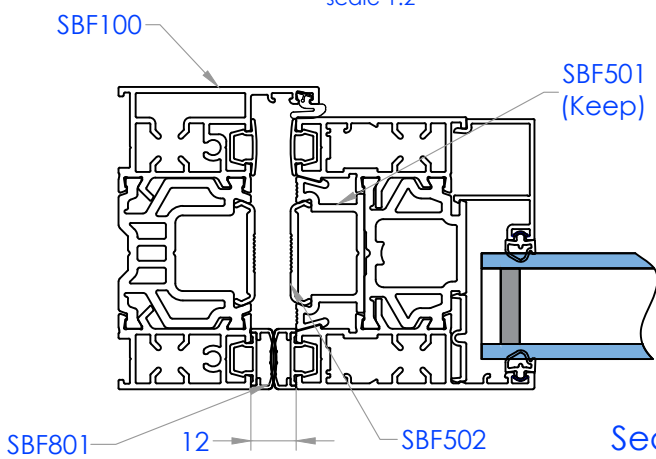
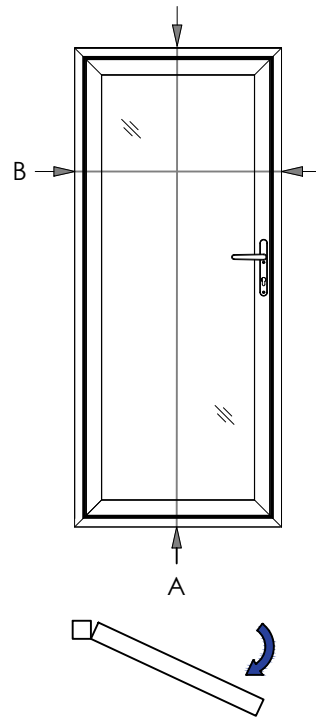


TYPICAL CROSS SECTIONS

BI-FOLD DOOR 1-1-0
Externally Opening



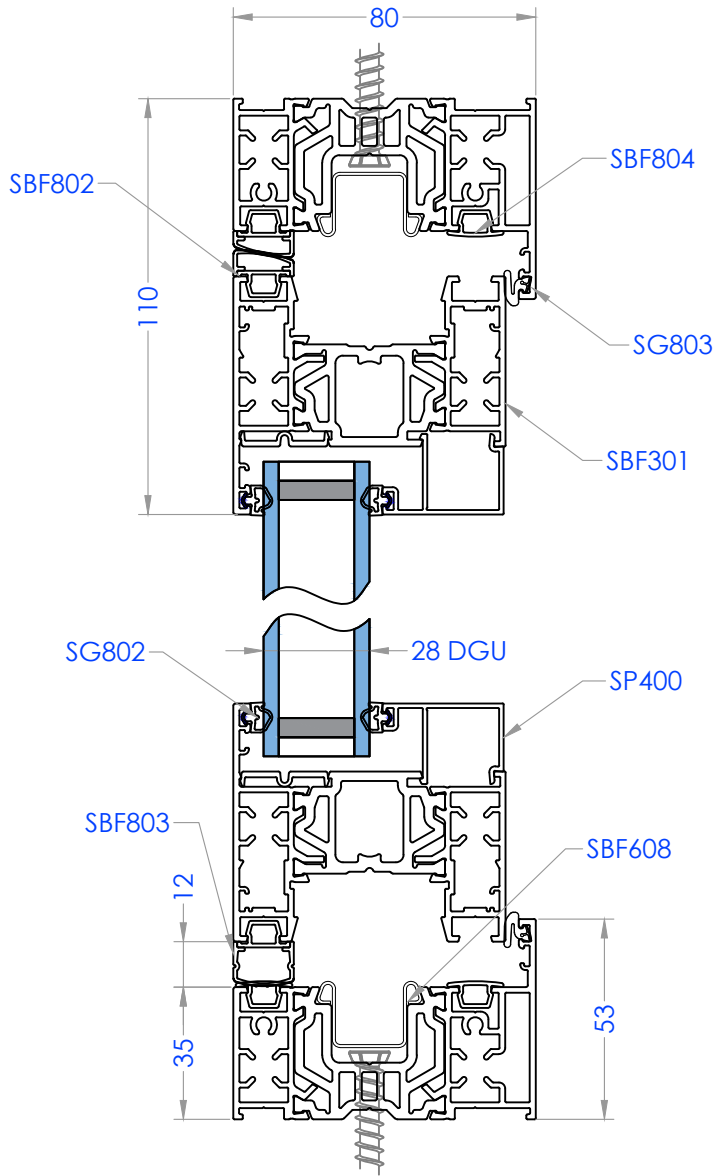
Section A
scale 1:2



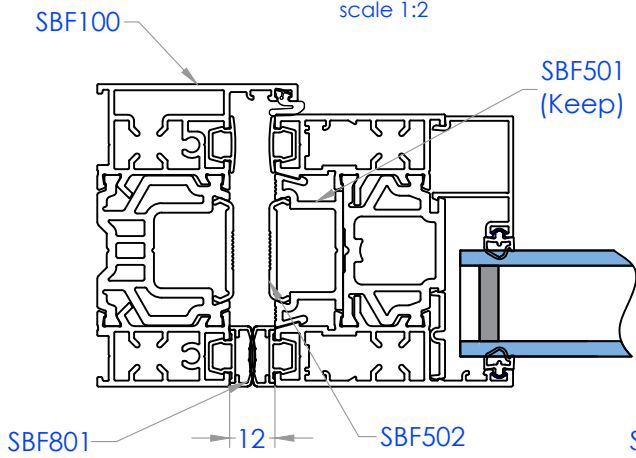
Section B
scale 1:2

TYPICAL CROSS SECTIONS

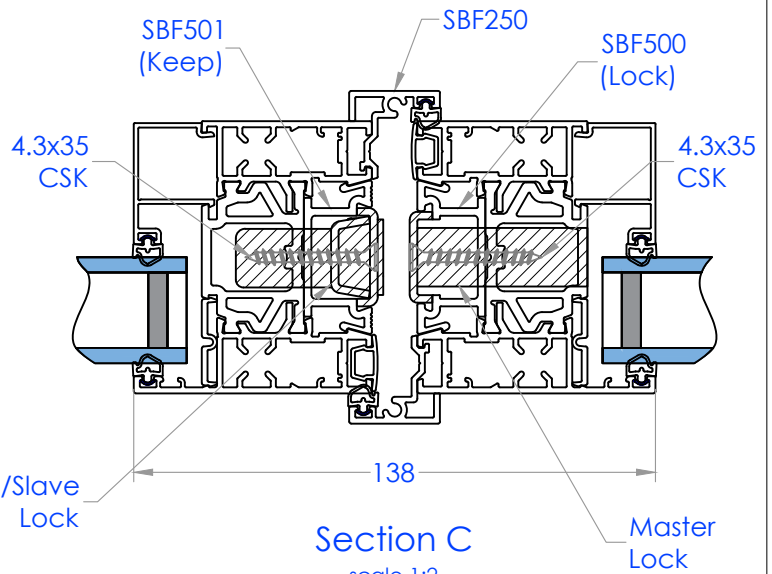
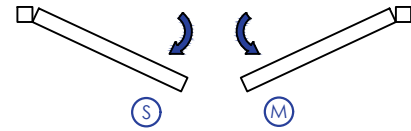
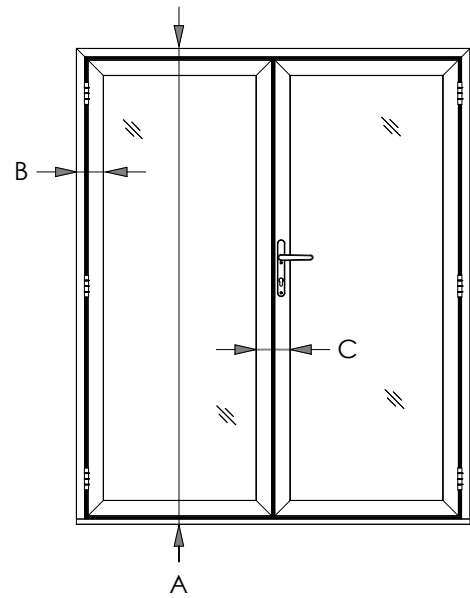
BI-FOLD DOOR 2-2-1 Externally Opening



Section A
scale 1:2



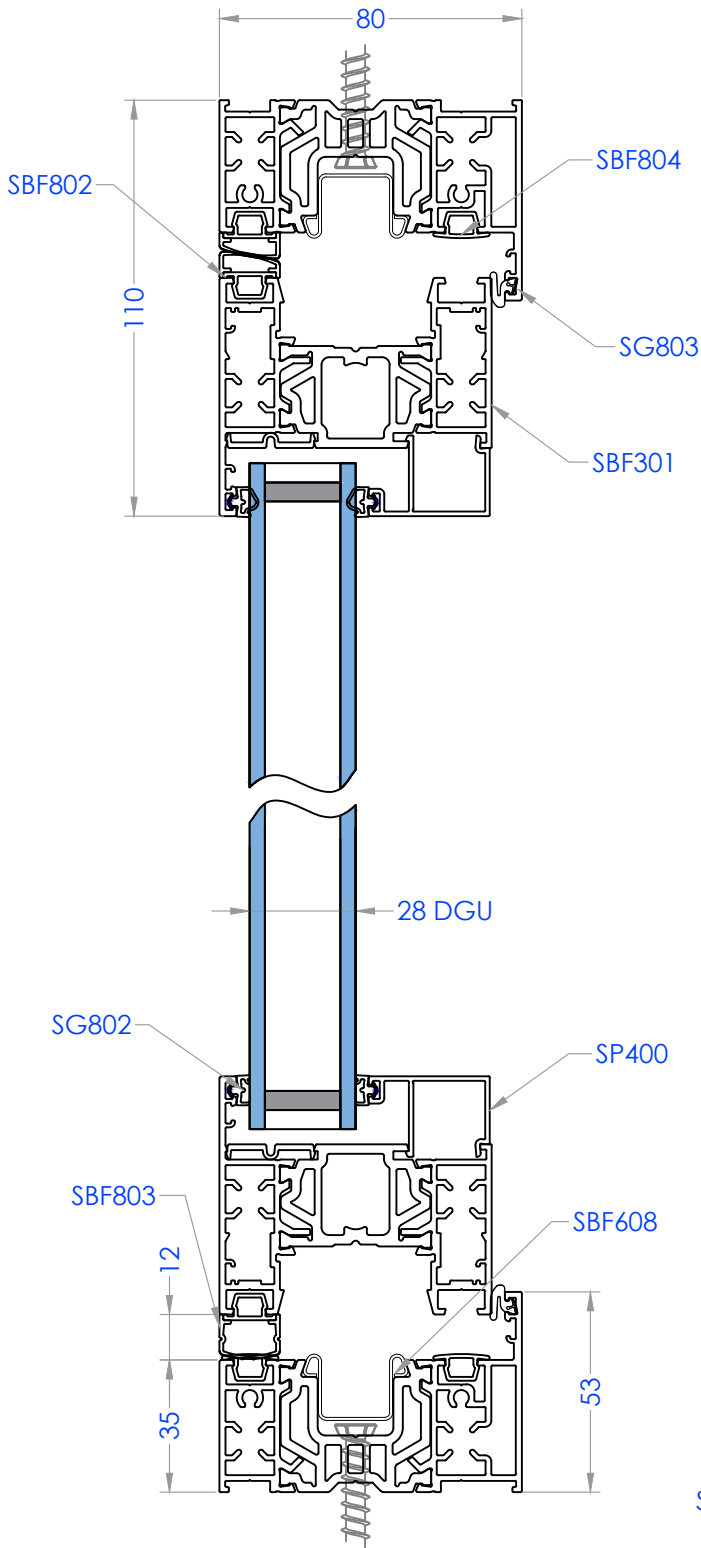
Section B
scale 1:2



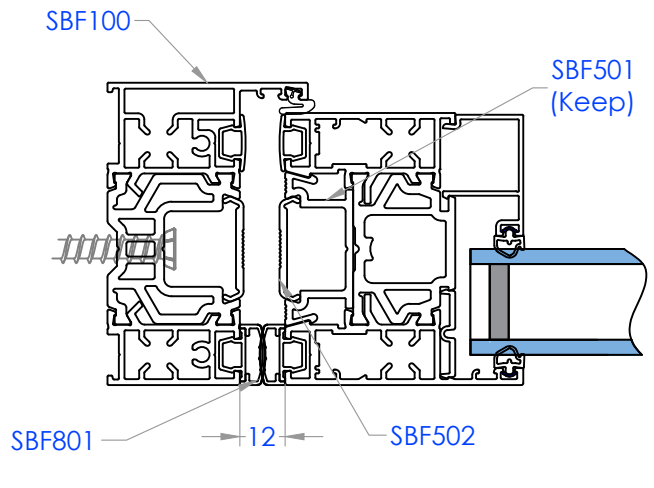
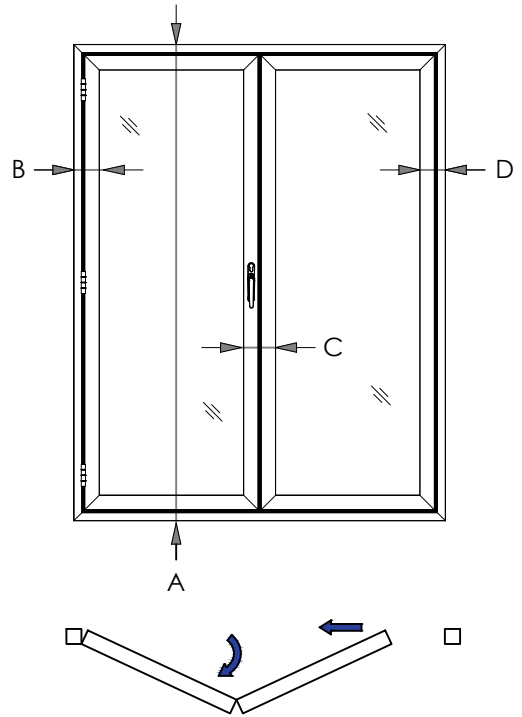
Section C
scale 1:2

TYPICAL CROSS SECTIONS

BI-FOLD DOOR 2-2-0
Externally Opening

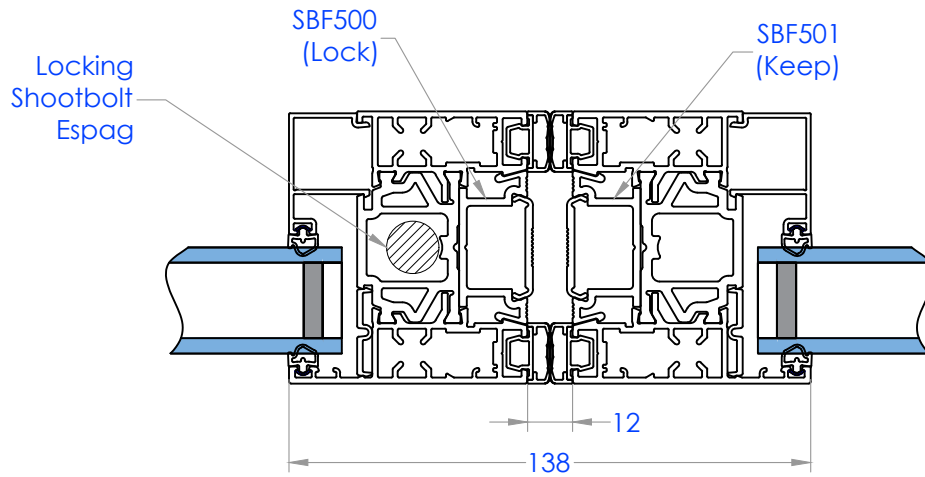


Section A
scale 1:2

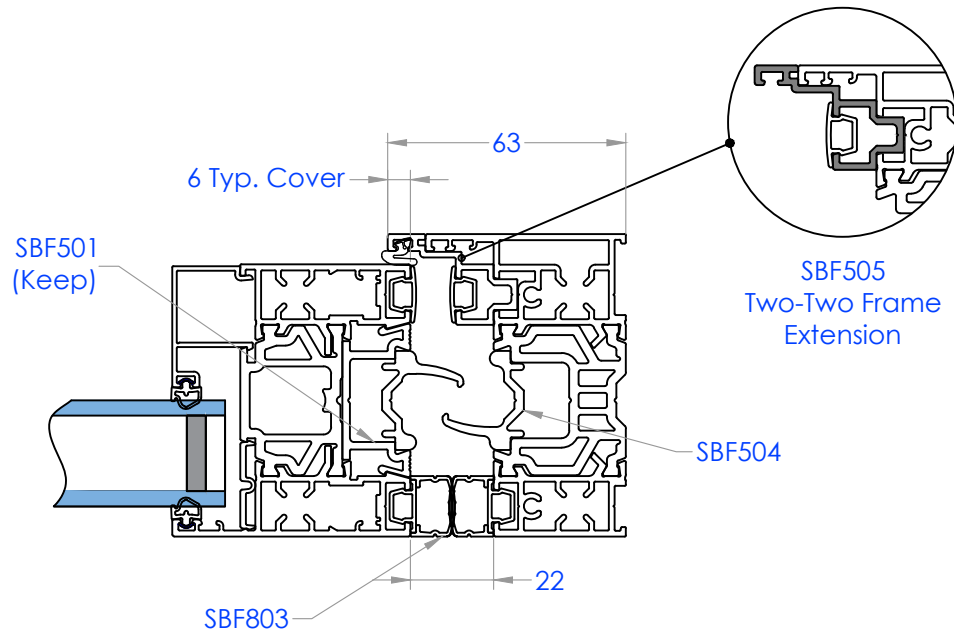


Section B
scale 1:2

TYPICAL CROSS SECTIONS



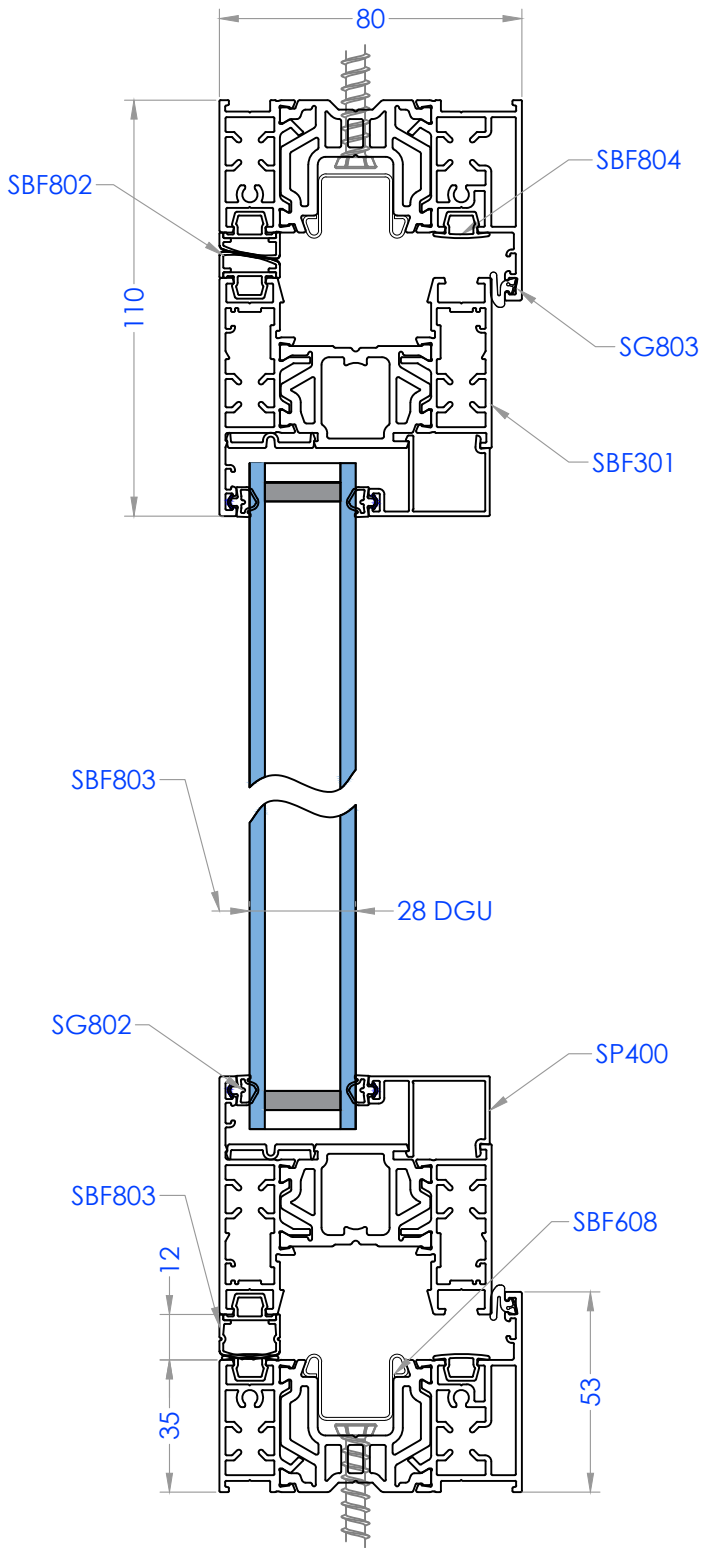
Section C
scale 1:2



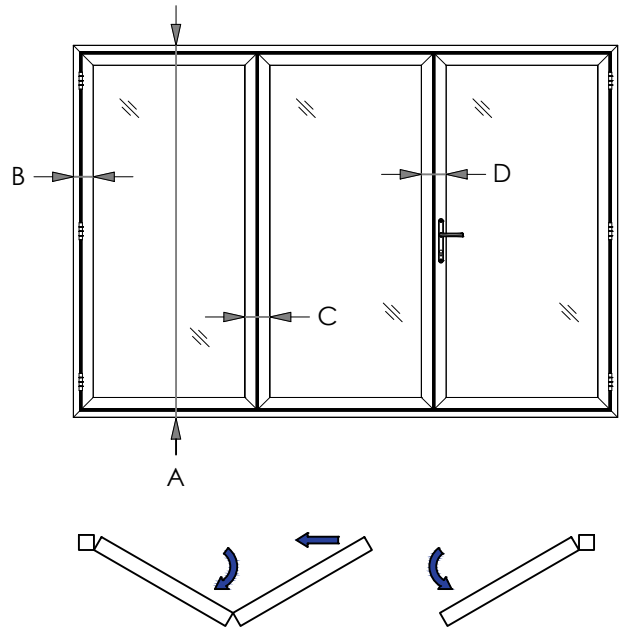
Section D
scale 1:2

4.0 TYPICAL CROSS SECTIONS

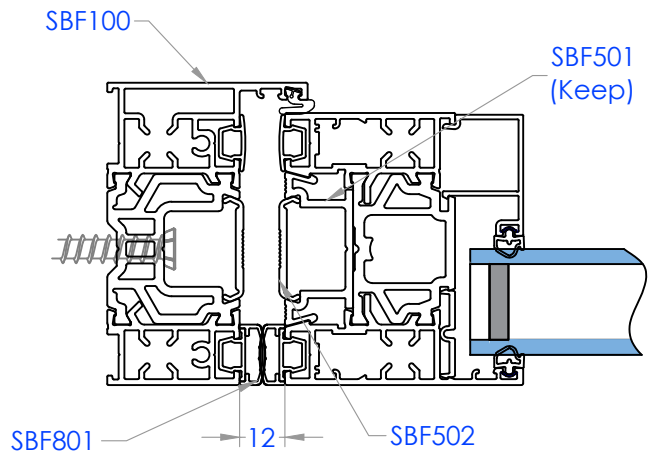
BI-FOLD DOOR 3-2-1 Externally Opening



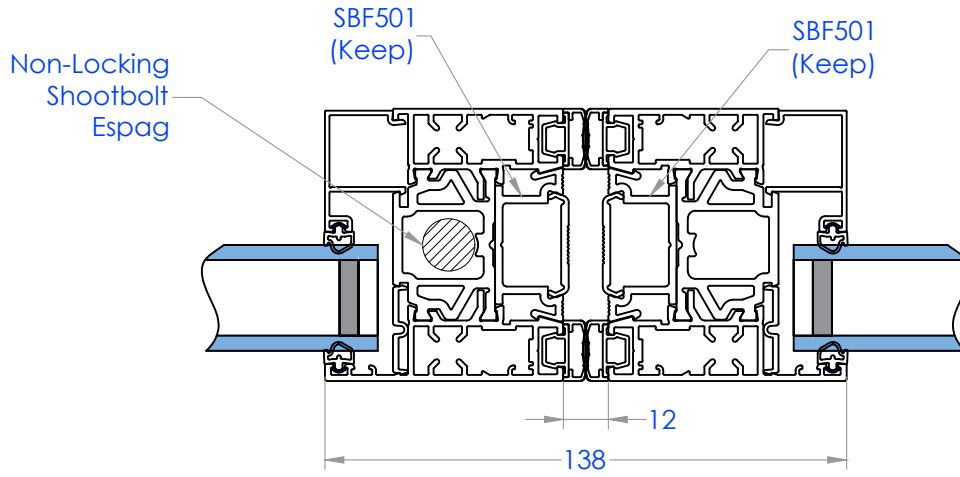
Section A
scale 1:2



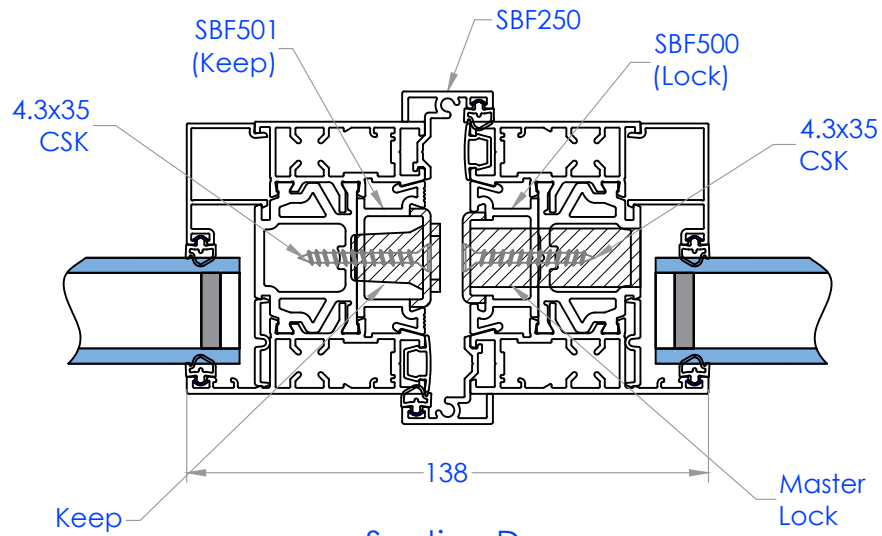
Section B
scale 1:2



TYPICAL CROSS SECTIONS



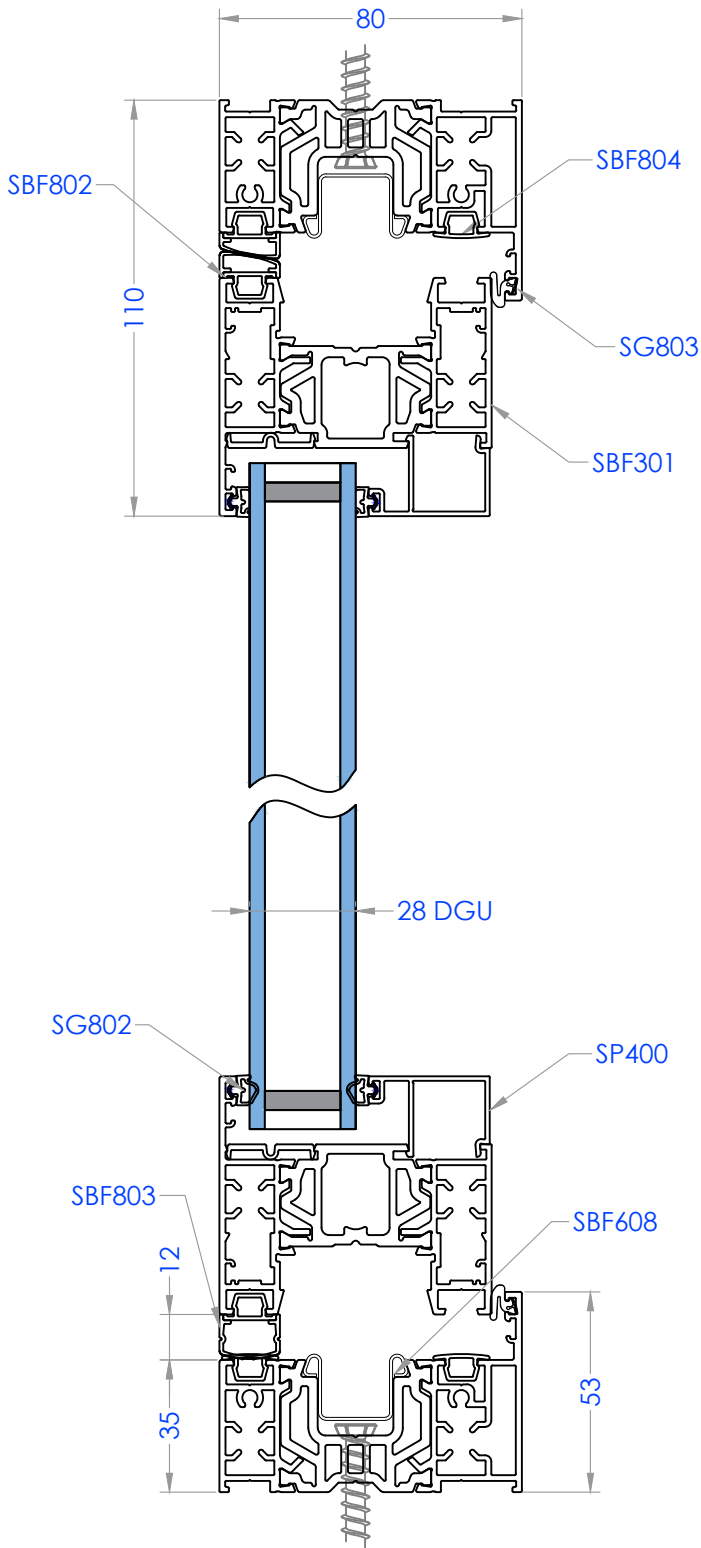
Section C
scale 1:2



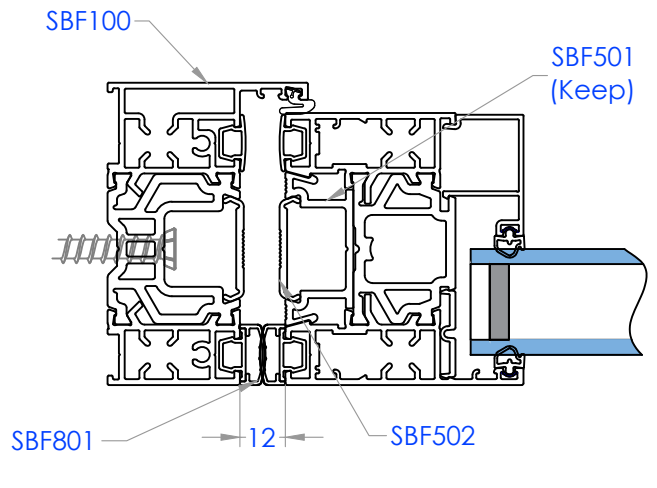
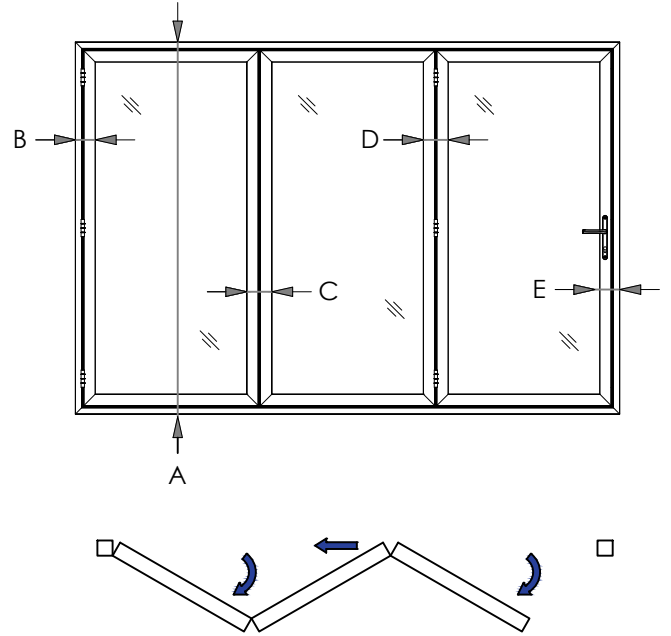
Section D
scale 1:2

TYPICAL CROSS SECTIONS

BI-FOLD DOOR 3-3-0
Externally Opening

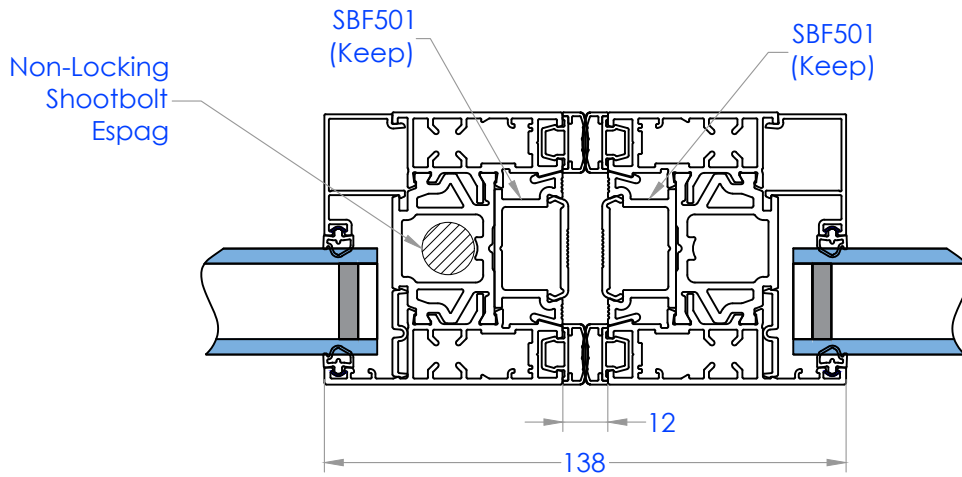


Section A
scale 1:2



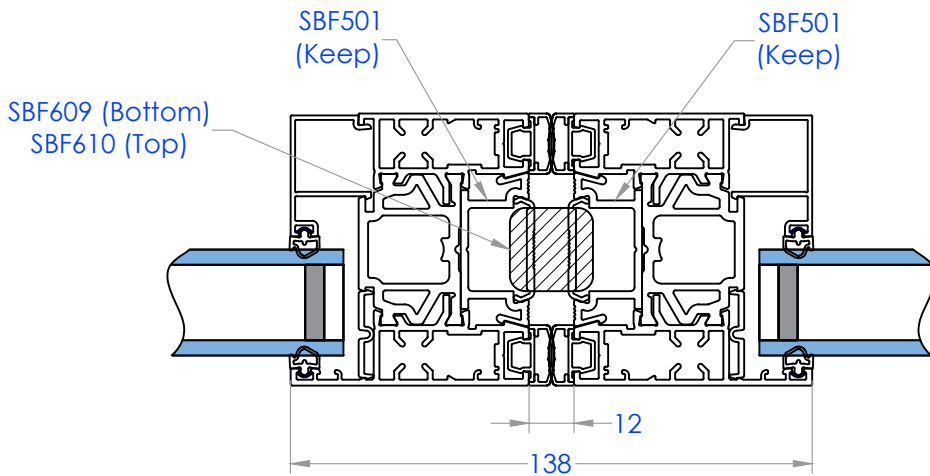
Section B
scale 1:2

TYPICAL CROSS SECTIONS



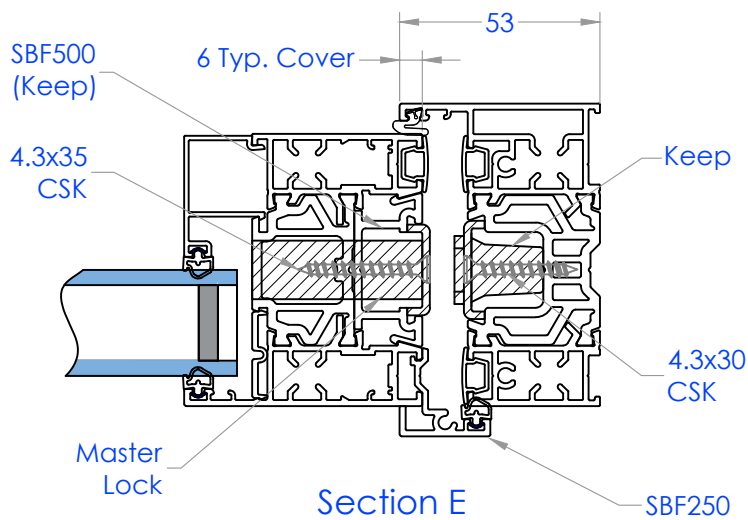
Section C

scale 1:2



Section D

scale 1:2



Section E

scale 1:2



SHEERLINE[®]
ALUMINIUM WINDOWS AND DOORS

Classic
range



Security has never looked so good

Classic
range



Transform your home with our high performance aluminium windows

Choosing the right windows for your home is an important decision. An investment that makes a real difference to how warm and secure you feel; as well as changing the look of your property. This is why we have designed the Classic system from the ground up. Building on years of experience, we've incorporated many new innovative ideas; creating a warmer, slimmer and more secure window system. Designed for discerning homeowners that aren't willing to compromise, our windows are tailored to those who demand more for their home.

Built around an innovative Thermavic® multi-chamber thermal break, our windows use a patented construction method that offers unsurpassed levels of security. Creating windows that are strong and durable, yet with slim frames that maximise the light flooding into your home. Sheerline aluminium windows are also available in a wide range of colours, letting you express your home's character.



Designed to combine the latest technical innovations with peerless aesthetics

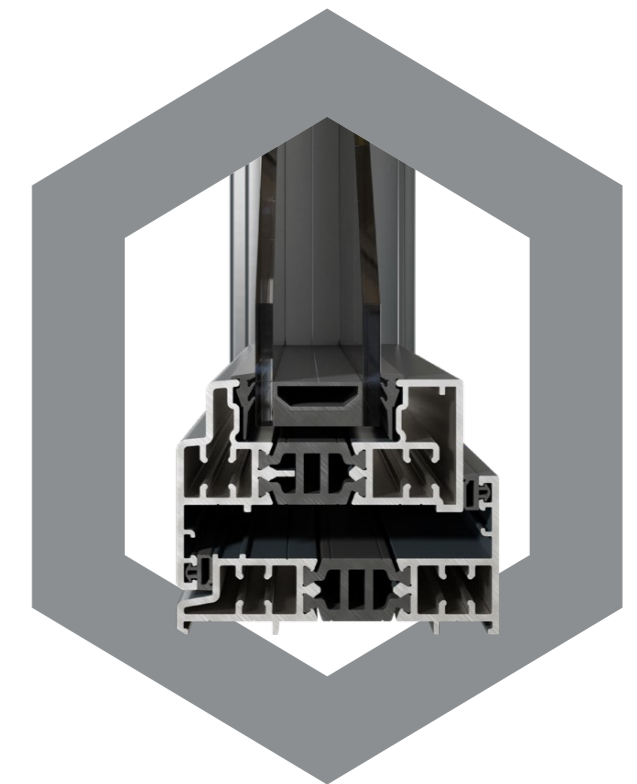




With unrivalled security built into the heart of every window

The innovative construction of the Classic window system eliminates the need for separate glazing beads – often an area of weakness in traditional window design. Instead our patented† corner jointing method securely locks the glass away within a completely sealed unit. This coupled with our high security multipoint locking and unique

hinge protectors creates unparalleled levels of security. No window in its class is as secure. All Sheerline windows carry PAS24:2016 enhanced security accreditation, so if you are looking for stylish aluminium windows with extra peace of mind as standard – then we have you covered.



†Patent registration number: GB2569209

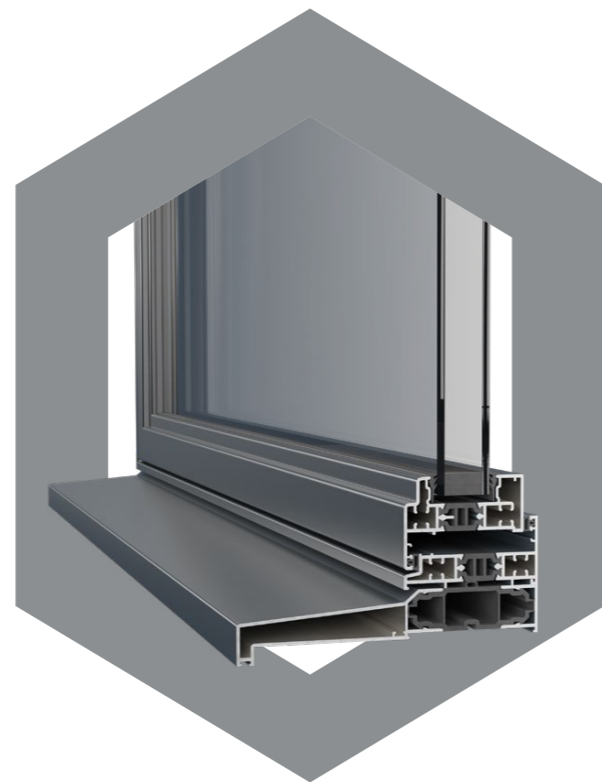
Thermavic® technology helps keep you and your home snug and warm

Cold, crisp lines on the outside hide away our innovative Thermavic® multi-chamber thermal design, helping keep you and your property well insulated against the worst of the UK weather. This closed-cell, insulating chamber acts as a thermal break and works in conjunction with our high performance double glazing to create class leading thermal performance, far superior to traditional polyamide thermal breaks. Sheerline's cills also feature this same technology coupled with innovative in-built weather sealing that keep draughts and rain safely outside.

1.4 U-value

W/(m²K)
Double glazed

Thermal transmittance, also known as a U-value, measures the rate of transfer of heat. The better-insulated a window is, the lower the U-value will be.





With great looks from every angle - due to our unique construction method



The ultra slim 59mm sightlines of the innovative Classic window system maximises the light flooding into your home, creating a refined architectural look. While our patented construction method – using threaded screws to bind corners tightly together in perfect unison – creates perfect run through mitres on internal joints, doing away

with the unsightly junctions of square cut beads seen on ordinary aluminium windows. We've also designed out the stepping of misaligned corners, allowing each Sheerline window to be individually hand tuned to perfection. Leaving you with the perfect balance of understated refinement and exacting quality standards.

Created from one of the most sustainable materials on the planet

Made from the most recycled and abundant metal in the Earth's crust and produced in the most energy efficient aluminium window facility in the UK, all Sheerline products are manufactured in the most sustainable way possible. Our state-of-the-art, energy efficient SMS HYBEX press delivers energy savings of up to 55% compared to

traditional presses. The design of our Classic system also vastly reduces fabrication waste, minimising the unnecessary consumption of raw material and helping reduce your window's carbon footprint. This coupled to the high level of energy efficiency built into every window helps build towards a greener future for all.



75%

Did you know 75% of the aluminium produced is still in use, thanks to its durability and highly efficient recycling processes.





All available in a range of colours and finishes to suit every home

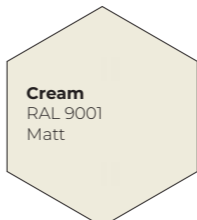
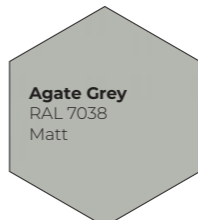
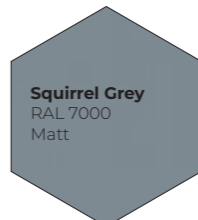
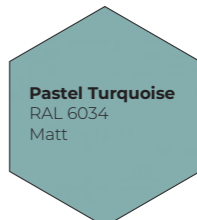

Our Classic range of windows are available in nine powder coated colours, with the option of choosing a different colour for the interior to help you

find the look that is perfect for your property. A further three anodised finishes are available for the ultimate durable and stylish finish.

TRADITIONAL COLOURS

 <p>Pure White 9010 Matt</p>	 <p>Hipca Gloss White 9910 Gloss</p>	 <p>Anthracite Grey 7016 Matt</p>	 <p>Jet Black 9005 Matt</p>
---------------------------------------------------------------------------------------------------------------------------------	-----------------------------------------------------------------------------------------------------------------------------------------	--------------------------------------------------------------------------------------------------------------------------------------	--------------------------------------------------------------------------------------------------------------------------------

CHARACTER PREMIUM COLOURS

 <p>Cream RAL 9001 Matt</p>	 <p>Agate Grey RAL 7038 Matt</p>	 <p>Squirrel Grey RAL 7000 Matt</p>	 <p>Pastel Turquoise RAL 6034 Matt</p>	 <p>Chocolate Brown RAL 8017 Matt</p>
---------------------------------------------------------------------------------------------------------------------------------	--------------------------------------------------------------------------------------------------------------------------------------	-----------------------------------------------------------------------------------------------------------------------------------------	--------------------------------------------------------------------------------------------------------------------------------------------	-------------------------------------------------------------------------------------------------------------------------------------------

PARAGON ANODISED FINISH

 <p>Natural Silver Anodised</p>	 <p>Mid Bronze Anodised</p>	 <p>Black Anodised</p>
---------------------------------------------------------------------------------------------------------------------------------	-----------------------------------------------------------------------------------------------------------------------------	------------------------------------------------------------------------------------------------------------------------

Please note; due to the nature of the manufacturing process and the differences in the methods used to represent these colours in print we cannot guarantee an exact colour match with the colours shown. The RAL colour references are also provided as a guide only.

With a choice of traditional or contemporary styling

Sheerline aluminium windows are available in a choice of two opening sash styles; 'Stepped' – inspired by traditional steel windows – and 'Contemporary' with a more modern minimalist aesthetic. Both styles are available in either our standard outer frame, or as a 'Flush' option that brings both the perimeter and the opening sash perfectly in-line with each other. You can draw on our experience if required to find the one that resonates best with your home's character.





Proudly designed and manufactured in the heart of the UK

We are on a mission to transform what customers expect from aluminium windows and doors. From design and testing, to the manufacture of every major component at our state-of-the-art facilities, we are passionate about every element that goes into producing the Sheerline window system. Delivering windows that operate, perform and look exceptional, keeping you warm and secure for many years to come.



*Information correct at time of publication.
Sheerline reserve the rights to alter product
specifications without prior notice. E&OE.*



SHEERLINE[®]
ALUMINIUM WINDOWS AND DOORS

Prestige
range



Stylish, warm aluminium built on innovation

Prestige
range

Transform your home with our stylish aluminium windows and doors

Choosing the right aluminium windows for your home is an important decision. An investment that makes a real difference to how warm and secure you feel, as well as improving the look of your property. That is why we have carefully designed the Prestige window and door system to combine stylish looks with the latest technical innovation. Building on years of experience, we've incorporated many unique features to create an incredibly thermally efficient, secure system, with unparalleled aesthetic appeal, that's available in a wide range of colours.

Exceptional thermal performance combined with refined looks

Designed for discerning homeowners that aren't willing to compromise, the Prestige range is tailored for those who demand more for their homes. Built around our innovative Thermavic® multi-chamber thermal break, we use a patented, strong and durable construction method, enabling us to hand tune each corner, ensuring every single window and door is finished to the highest standards.





High quality, innovative and versatile, Sheerline lets light flood in to open up interiors

Each Prestige installation is individually tailored to the exact requirements of your property. A range of different outer frame sizes accommodate different plaster lines and window reveals - ensuring a perfect, neat finish. Our versatile 72 - 80mm wide system is

available in casement, French and fixed windows and has been designed to be sympathetic to the modern trend for light, airy interiors. Using slim sashes allows more light to flood into your home, helping create that important sense of space and tranquillity.



Thermaviv[®] technology helps keep you and your home snug and warm

Prestige combines aluminium's clean lines with exceptional thermal performance for up to an A+ Window Energy Rating.* Our innovative Thermaviv[®] multi-chamber thermal design, hidden away inside each window and door, helps keep you and your property well insulated against the worst of the UK weather. This closed-cell, insulating chamber acts as a thermal break and works in conjunction with high performance glazing to create class leading thermal performance, far superior to traditional polyamide thermal breaks. Sheerline's cills also feature this same technology coupled with innovative in-built weather sealing keeping draughts and rain safely outside.

1.3 U-value

W/(m²K)
Double glazed

Thermal transmittance, also known as a U-value, measures the rate of transfer of heat. The better-insulated a window is, the lower the U-value will be.

0.9 U-value

W/(m²K)
Triple glazed

Available with up to 44mm triple glazing for the ultimate thermal performance. Triple glazing can also provide exceptional acoustic dampening to block out unwanted noise.

*A+ WER (Window Energy Rating) achievable with triple glazing, A WER with double glazing.





With exceptional security built into every window and door

Our patented† corner jointing method creates exceptionally strong frames, maximising the inherent strength of Sheerline's aluminium construction. A full depth eurogroove also enables us to offer the latest high security, multipoint locking - helping keep you and your home safe and secure. Additional features like unique hinge protectors also help create exceptional

levels of security. Prestige's clever integrated design also ensures both window and door lock cases are fully enclosed, meaning they don't break through into the glazing, or beading areas - which could weaken the integrity of the frame. So if you are looking for extra peace of mind as standard - then we have you covered.



†Patent registration number: GB2569209 *Subject to product type and hardware specification.

Perfect for making an entrance

The Prestige system covers both single and French doors, so you can be sure of finding the perfect entrance for your home. All styles are offered with Part M compliant, thermally broken aluminium thresholds, ensuring there's no weak point in the thermal performance of your door and helping prevent condensation build-up. Continuing the high end aesthetics, no fixings are visible in the threshold, and designs follow the same clean, refined looks of our windows.





With great looks from every angle - due to our unique construction method



With sightlines starting as slim as 88mm, Prestige windows and doors help maximise the daylight entering your home, with crisp aluminium detailing creating a refined and architectural look. While our patented construction method – using threaded screws to bind corners tightly together – helps eliminate misaligned corner

issues that can occur on ordinary aluminium frames. This allows each Sheerline window to be individually hand tuned to perfection. Leaving you with the perfect balance of understated refinement coupled to exacting quality standards, where no detail's overlooked. Creating consistent aesthetics across every Sheerline window and door.

Created from one of the most sustainable materials on the planet

Made from the most recycled and abundant metal in the Earth's crust and produced in the most energy efficient aluminium window facility in the UK, all Sheerline products are manufactured in the most sustainable way possible. Our state-of-the-art, energy efficient SMS HYBREX press delivers energy savings of up to 55% compared to

traditional presses. The design of our systems also vastly reduces fabrication waste, minimising the unnecessary consumption of raw material and helping reduce your window and door's carbon footprint. This coupled to the high level of energy efficiency built into every Sheerline product helps build towards a greener future for all.



75%

Did you know 75% of the aluminium produced is still in use, thanks to its durability and highly efficient recycling processes.





All available in a range of colours and finishes to suit every home

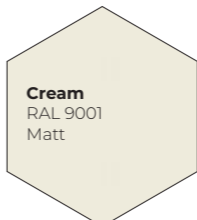
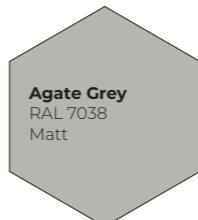
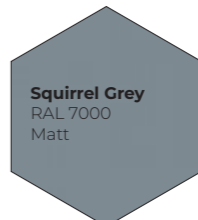
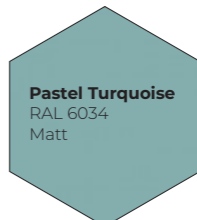

Our Prestige range of windows and doors are available in nine powder coated colours, with the option of choosing a different colour for the

interior to help you find the look that is perfect for your property. A further three anodised finishes are available for the ultimate durable and stylish finish.

TRADITIONAL COLOURS

 <p>Pure White 9010 Matt</p>	 <p>Hipca Gloss White 9910 Gloss</p>	 <p>Anthracite Grey 7016 Matt</p>	 <p>Jet Black 9005 Matt</p>
---------------------------------------------------------------------------------------------------------------------------------	-----------------------------------------------------------------------------------------------------------------------------------------	--------------------------------------------------------------------------------------------------------------------------------------	--------------------------------------------------------------------------------------------------------------------------------

CHARACTER PREMIUM COLOURS

 <p>Cream RAL 9001 Matt</p>	 <p>Agate Grey RAL 7038 Matt</p>	 <p>Squirrel Grey RAL 7000 Matt</p>	 <p>Pastel Turquoise RAL 6034 Matt</p>	 <p>Chocolate Brown RAL 8017 Matt</p>
---------------------------------------------------------------------------------------------------------------------------------	--------------------------------------------------------------------------------------------------------------------------------------	-----------------------------------------------------------------------------------------------------------------------------------------	--------------------------------------------------------------------------------------------------------------------------------------------	-------------------------------------------------------------------------------------------------------------------------------------------

PARAGON ANODISED FINISH

 <p>Natural Silver Anodised</p>	 <p>Mid Bronze Anodised</p>	 <p>Black Anodised</p>
---------------------------------------------------------------------------------------------------------------------------------	-----------------------------------------------------------------------------------------------------------------------------	------------------------------------------------------------------------------------------------------------------------

Please note; due to the nature of the manufacturing process and the differences in the methods used to represent these colours in print we cannot guarantee an exact colour match with the colours shown. The RAL colour references are also provided as a guide only.

With a choice of traditional or contemporary styling

Sheerline aluminium windows are available in a choice of two opening sash styles; 'Stepped' – inspired by traditional steel windows – and 'Contemporary' with a more modern minimalist aesthetic. Both styles are available in either our standard outer frame, or as a 'Flush' option that brings both the perimeter and the opening sash perfectly in-line with each other. We are happy to offer advice about which will complement your home's style perfectly if required.





Proudly designed and manufactured in the heart of the UK

We are on a mission to transform what customers expect from aluminium windows and doors. From design and testing, to the manufacture of every major component at our state-of-the-art facilities, we are passionate about each element that goes into producing every Sheerline product. Delivering windows and doors that operate, perform and look exceptional, keeping you warm and secure for many years to come.



An integrated approach - across all our systems

With a shared design philosophy, and built around the same ingenious and unique engineering principles, Sheerline's various systems are designed to be used seamlessly together. So rest assured, safe in the knowledge that aesthetics, colours, styles and sightlines will match perfectly across your home.



Classic range

With ultra slim 59mm sightlines the Classic window system is an ideal replacement for traditional steel windows, or for ultra-modern renovations and extensions.

